



NUTECH ENTERPRISES
AUTOMATION DIVISION

COMPANY PROFILE

Full range of Building & Access Automation Systems
Installation & Commissioning



Gate Barriers...
Automatic Sliding & Swing Gates...
Automatic Sliding & Swing Glass Doors...
Parking Savers...
Bollards, Speed Gates & Turnstiles...

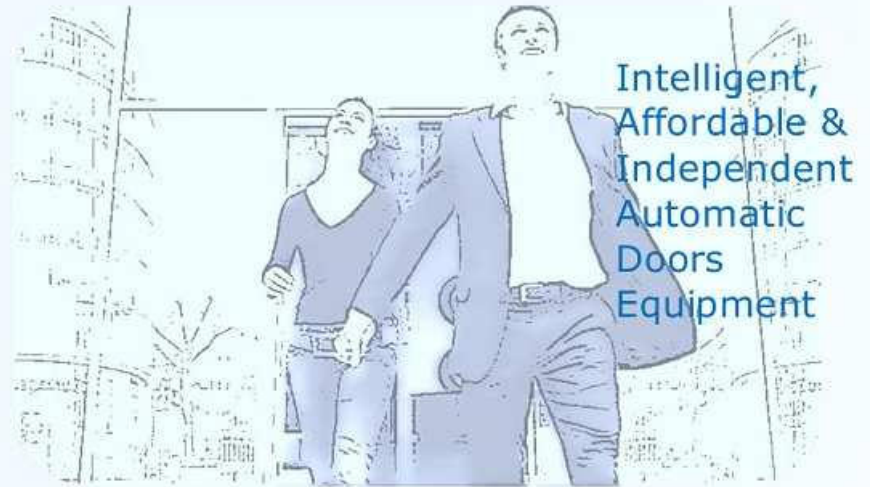
Operating Equipment from:



An ISO 9001 Certified Company

NUTEC-Enterprises

Automations are a leading supplier of operating equipment for Automatic pedestrian doors.



We offer competent, professional service in the field of door automation.

All our equipment has been designed and manufactured by **FAAC**, Italy. Their products are designed and developed by the needs of customers, after years of research for problem free, smooth operation. Subsequently, they have earned the reputation as the higher end, most reliable manufacturers in the segment.

We are proud to be the only **FAAC** automatic Door & Gate systems supplier in Doha Qatar.

Nutec not only supply but install **FAAC** automatic door equipment, for residential & commercial establishments with service contract options.



Vehicle Access Control Systems

Wide range of readers and cards to satisfy all requirements.



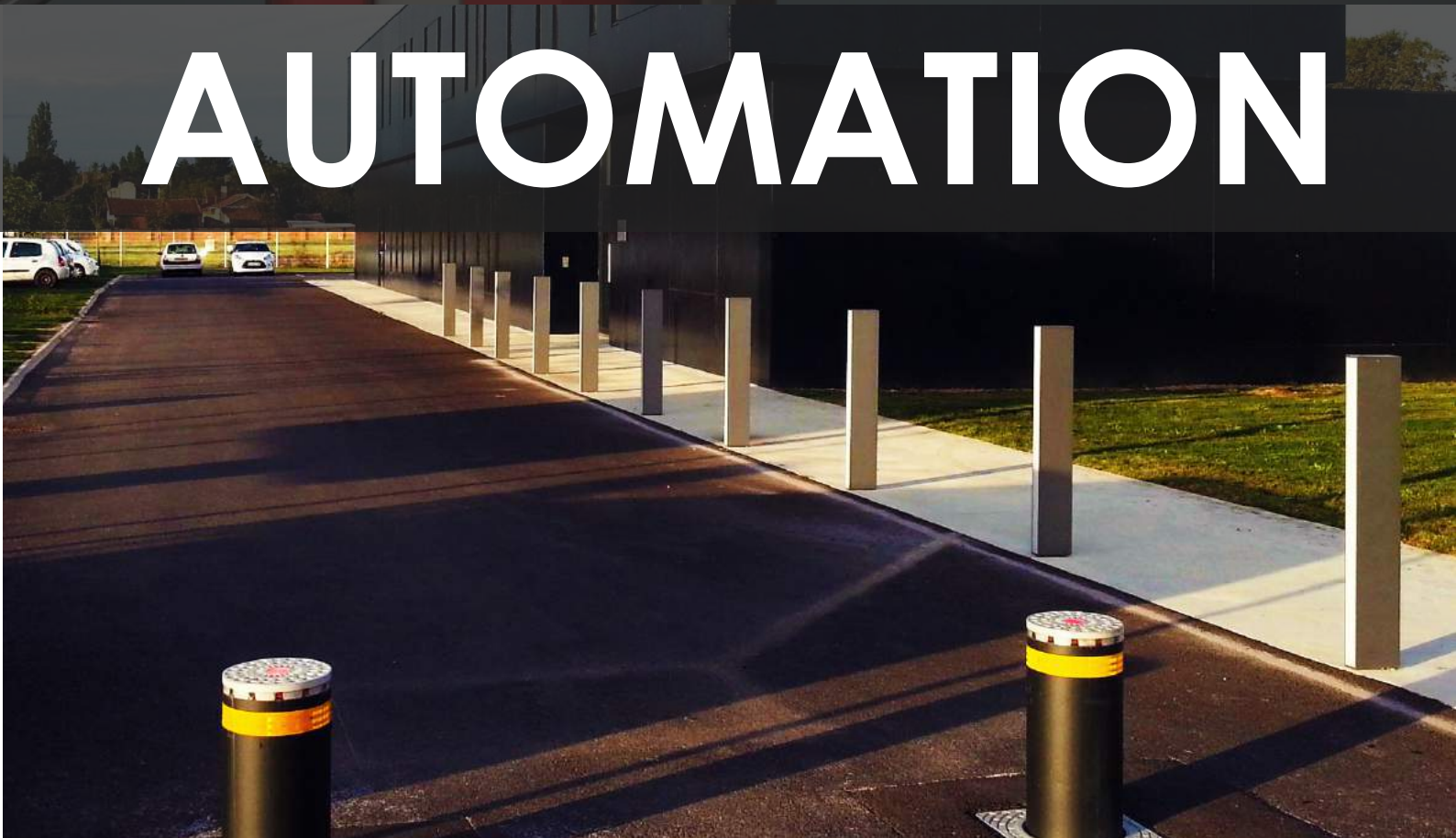
- **BARRIERS**
- **Automatic Gates (sliding & swing)**
- **Automatic Garage Doors**
- **Bollards**



FAAC
Simply automatic.



ACCESS AUTOMATION



**Security combined
with automation:
Nutec Swing &
Sliding Gates**



NUTEC-Enterprises Automations design, supply & install
Fully functional Automatic Gates

Swing gates open with a rotation around a fulcrum, just like an ordinary door. When the gate's doors open, they usually turn inward thus requiring specific internal space.

Our experts measure the dimensions and the approximate weight of the leaf gate, the sturdiness of the post and the leaf gate & the material it is made of in order to choose the ideal FAAC automation system.

The automations are usually powered by the 230V supply and 24Vdc, which, thanks to the low voltage alimentation, guarantees a safer functioning. Moreover, the 24Vdc power supply is recommended when an intensive use is necessary, which is usually requested for commercial and industrial applications.



The sliding gate is functional where saving space is a concern. It allows you to enter your vehicle without stress and adapt to surfaces of limited depth. Different FAAC Sliding Gate Systems are designed for smooth, remote operation of Gates with weights ranging from 400kg to 3.5 tonnes



MADE IN ITALY

SPACE SAVER PARK

automatic



800PARK

DC automatic park space saver.

800PARKM

Manual park space saver without motor.

800PARKXL

NEW

DC automatic park space saver plus.

800PARKMXL

NEW

Manual park space saver plus without motor.

Accessories



750D780M
Electronic control unit for a single PARK parking space saver with built-in radio receiver (expandable up to 4 units)



750EXP780M
Single expansion module for D780M

Features:

- residential, industrial and public use
- low voltage DC motor
- opening time 5 seconds
- radio-controlled operation
- manual release

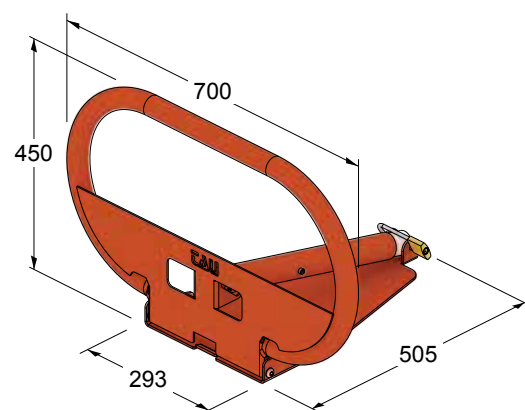
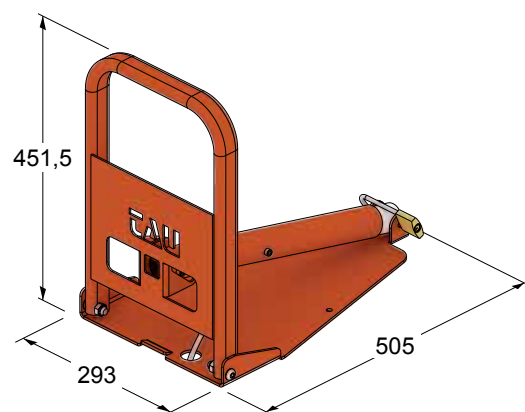
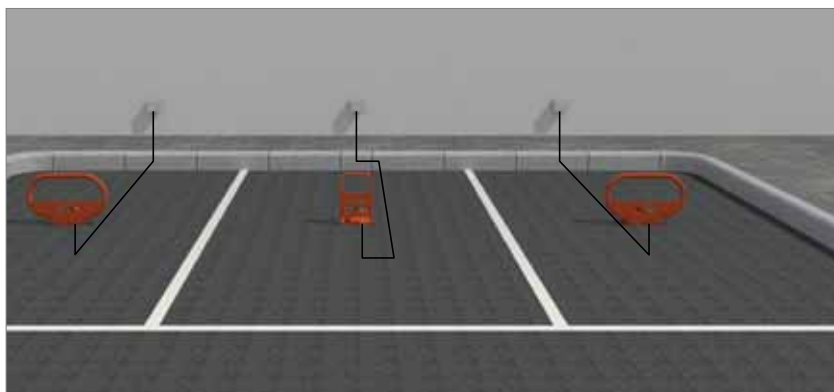
Pros:

- fast opening
- ideal to save the park space
- obstacle detection and crush prevention

Technical features

PARK/XL

Power supply	230 V AC (50 - 60 Hz)
Motor power supply	18 V DC
Absorption	1,6 A
Absorbed power	30 W
Operating time	5 sec.
Duty cycle	100 %
Resistance to weight	2,5 kg/cm ²
Operating temperature	-20° C + +55° C
Motor thermal protection	-
Degree of protection	IP 54



PEDESTRIAN ACCESS CONTROL SYSTEMS

TURNSTILES
SPEED GATES
HIGH SECURITY SOLUTIONS



PEDESTRIAN ACCESS CONTROL SYSTEMS

WAIST HEIGHT TURNSTILES



SPEED GATES



TURNSTILES FOR REDUCED MOBILITY



GLASS LINE SERIES



FREE PASSAGE TURNSTILES



HALF HEIGHT TURNSTILES



FULL HEIGHT TURNSTILES



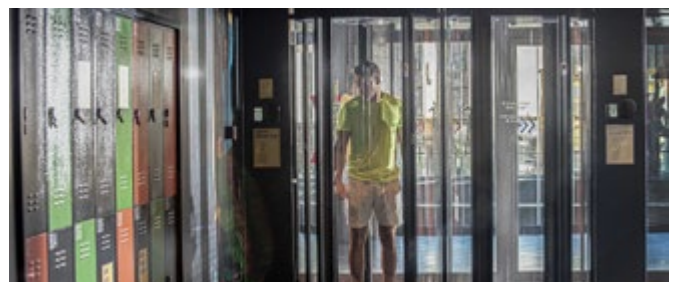
GLASS FULL HEIGHT SERIES



EXIT GATES



HIGH SECURITY SERIES







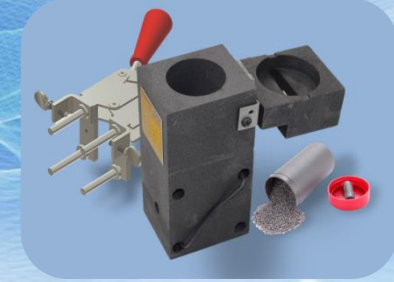
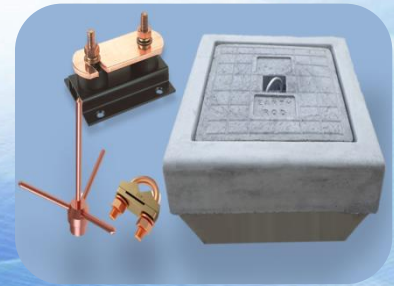


EXIT

602

602

NUTEC PRODUCTS



Our Trading Products:

**KOPEX | CMP | 3M | KOMPRESS | BURN | FLEXICON | FURSE | WALLIS | BANDIT | BICON | CADWELD | DYMO | HAWKE
RAXTON | WEIDMULLER | PHOENIX | RAYCHEM | FLUKE | MEGGER | KYORITSU | CABLES & FLEXIBLE CABLES, ETC.**



NUTEC ENTERPRISES W.L.L

Suppliers in Electro-mechanical & Instrumentation Equipment/ Spares/ Tools/ Automations

Po Box # 8069

Tel # 50057164/ 44373771

Fax # 44373770 E-Mail: services@nutec-ent.com

info@nutec-ent.com

Location: Office # 50, Building # 4, Barwa Village, Wakra

Doha – Qatar